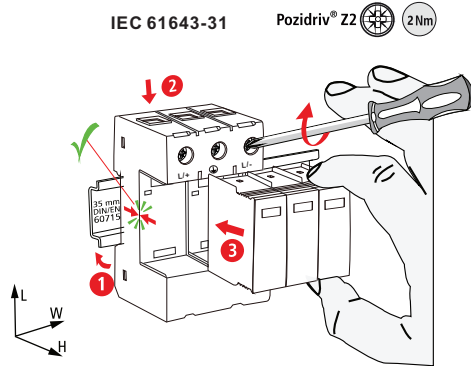


CE INSTALLATION INSTRUCTIONS

TONGOUDC SPD TOSP PV Series

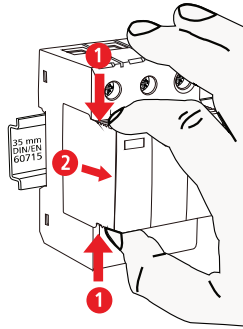
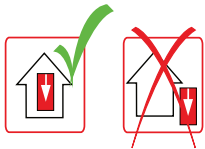


- DE Einbauanleitung
- GB Installation instructions
- IT Istruzioni di montaggio
- FR Instructions de montage
- ES Instrucciones de montaje
- DK Monteringsvejledning
- RU Инструкция по монтажу
- CZ Návod k montáži



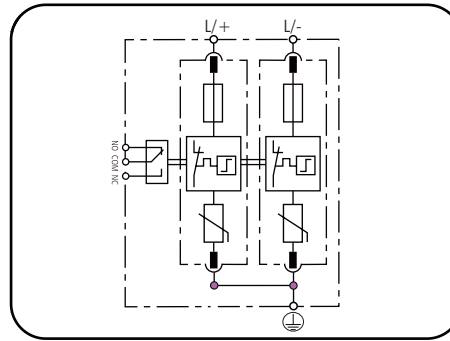
IEC 61643-31

Pozidriv® Z2 2Nm

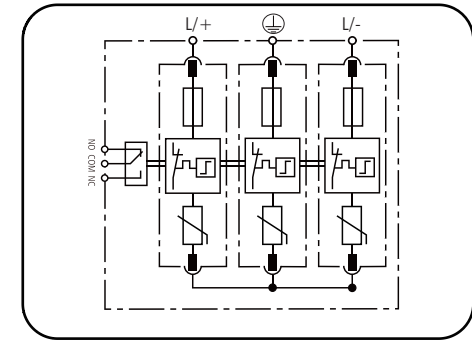


TOSP-DC-C40					
U_{cPV}	DC500V	DC800V	DC1000V	DC1000V	DC1500V
I_n	20kA(8/20)	20kA(8/20)	20kA(8/20)	20kA(8/20)	20kA(8/20)
I_{max}	40kA(8/20)	40kA(8/20)	40kA(8/20)	40kA(8/20)	40kA(8/20)
I_{imp}				6.5kA(10/350)	
U_p	1.8kV	3.0kV	4.0kV	4.5kV	6.2kV
T_a	L/+ - PE < 25ns L/- - PE < 25ns				
θ	-40°C.....+70°C				
Φ	30%.....90%				
IP 1)	20				
Remarks	Other max PVcontinuous operating voltage can be customized				
L x W x H	DC500V(91mm×36mm×64mm)		DC800V/DC1000V/DC1500V(91mm×54mm×64mm)		

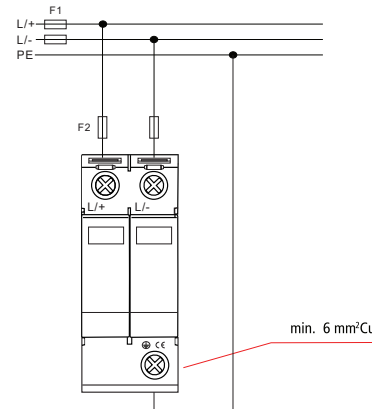
min.	L/+, L/-, ⊥	12 mm	12 mm	12 mm
max.	L/+, L/-, ⊥	25 mm	2.5mm	35 mm



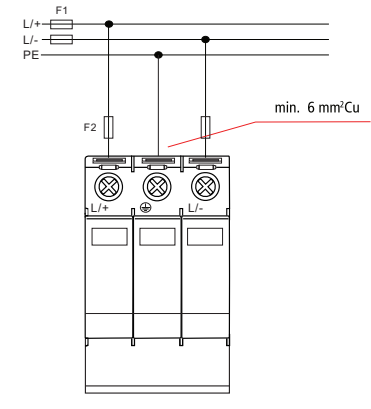
DC500V Circuit diagram



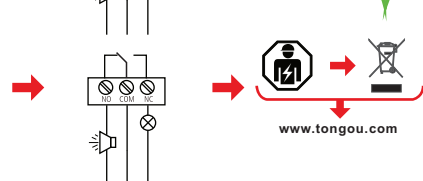
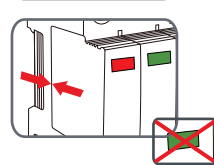
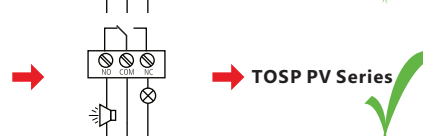
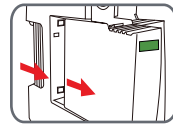
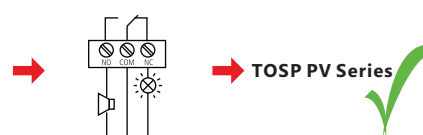
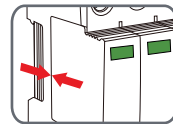
DC800V/DC1000V/DC1500V Circuit diagram



DC500V Wiring



DC800V/DC1000V/DC1500V Wiring



Remote signalling contacts can be optional

Remote Signalling Contact	
	AC: 250 V / 0.5 A
	DC: 250 V / 0.1 A 125 V / 0.2 A 75 V / 0.5 A
max. 1.5 mm	