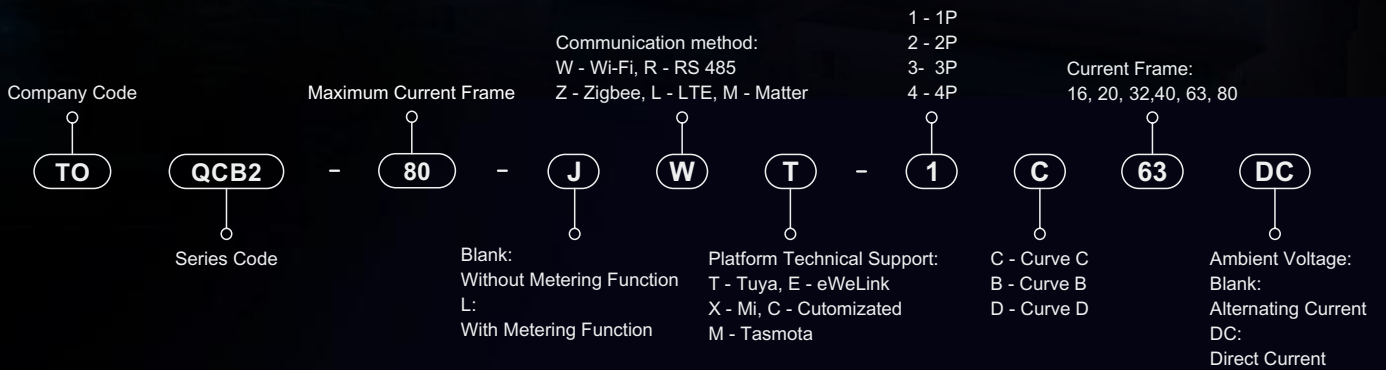


Smart Circuit Breaker TOQCB2 Series



Smart Circuit Breaker **TOQCB2 Series**

The future mode of electricity usage will feature efficient energy management, enhanced safety with integrated electrical protection functions, remote monitoring of electricity data, more convenient and rapid power maintenance, and integrated application with intelligent automation systems.



**Remote
Control**



**Voice
Control**



**Time
Mode**



**Circuit
Protection**



**Electricity
Consumption**



**Real-Time
Power / Current / Voltage**



**Temperature
Protection**



**Operation
Log**



**DIN Rail
Installation**



**Maintenance
Mode**

I TOQCB2-80 1P

⚡ Over-current Protection

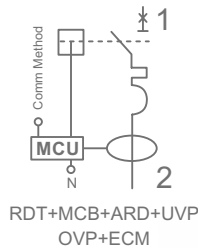
Threshold Setting: 1 - 63A
 Default: 63A
 Status Setting: Off/Alarm/Trip
 Electronic Component Response Time: 3s

+⚡ Over-voltage Protection

Threshold Setting: 245V - 295A
 Default: 280V
 Status Setting: Off/Alarm/Trip
 Electronic Component Response Time: 3s

-⚡ Under-voltage Protection

Threshold Setting: 145V - 220A
 Default: 165V
 Status Setting: Off/Alarm/Trip
 Electronic Component Response Time: 3s

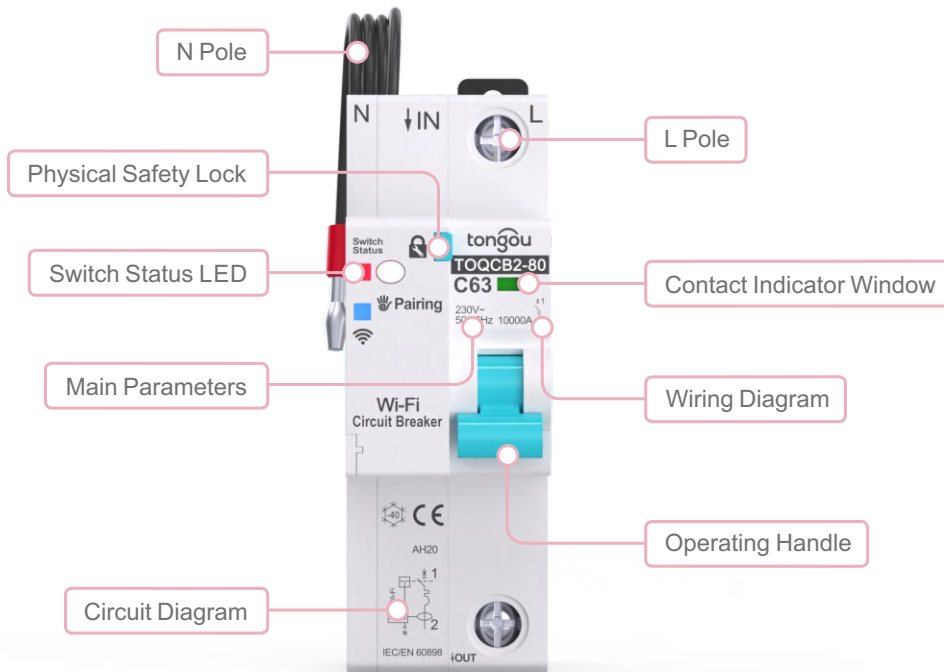


LED Indicator

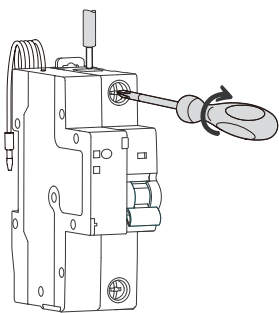
- The switch Status LED steady blue, indicating that circuit breaker is disconnected.
- The switch Status LED steady red, indicating that circuit breaker is closed.
- The network LED flashing red slowly indicates that circuit breaker is in off-grid mode.
- The network LED flashing red quickly indicates that circuit breaker is in pairing mode.
- The network LED flashing blue slowly indicates that the circuit breaker is in the connected mode.

PRODUCT MODEL	TOQCB2-80-JW	TOQCB2-80-JZ	TOQCB2-80-JR	TOQCB2-80-JL	TOQCB2-80-JM
Standards	IEC/EN 60947, IEC/EN 60898, IEC/EN 50557, EN 301 489, EN 300 328, EN IEC 61000				
Poles Description	1P				
Operating Rated Voltage	Ue (V)	AC 145V - 230V			
Frequency	Hz	50/60Hz			
Current Frame	In (A)	16, 20, 32, 40, 63, 80			
Curve Code		B, C, D			
Rated Insulation Voltage	Ui (V)	AC 500V			
Rated Ultimate Short-circuit Breaking Capacity	Icu (kA)	10kA			
Short Circuit Protection	acc. to IEC/EN 60947-2, IEC/EN 60898-1				
Operational Safety	Physical Safety Lock, which prevents the device from being closed once engaged				
Communication Protocol	TOQCB2-80-JW	TCP/IP: Wi-Fi (2.412~2.484GHz) IEEE 802.11b/g/n			
	TOQCB2-80-JZ	Zigbee (2.400~2.483GHz) IEEE 802.15.4			
	TOQCB2-80-JR	Modbus-RTU			
	TOQCB2-80-JL	LTE Cat.1: LTE-FDD: B1/B3/B5/B8 LTE-TDD: B34/38/39/40/41 (2535~2655MHz) LTE-FDD: B1/B3/B5/B7/B8/B20/B28A* LTE-TDD: B38/40/41 GSM/GPRS: GSM900/DCS1800			
	TOQCB2-80-JM	TCP/UDP: Matter			
Energy Consumption Measurement Accuracy	Class 1.0				
Monitoring Physical Data	Real-time Voltage, Real-time Current, Real-time Power (Forward/Reverse), Power Factor, Power Consumption (Forward/Reverse), Temperature, Phase Angle, Switch State, Device Operating Status, Frequency				
Function Description	Multiple Timing, Over-voltage Protection, Under-voltage Protection, Over-current Protection, Over-Power Protection, Temperature protection, Short Circuit Protection, Auto-reclosing, Remote Control, Voice Control				
Mounting Support	DIN Rail 35mm				

TOQCB2-80 1P

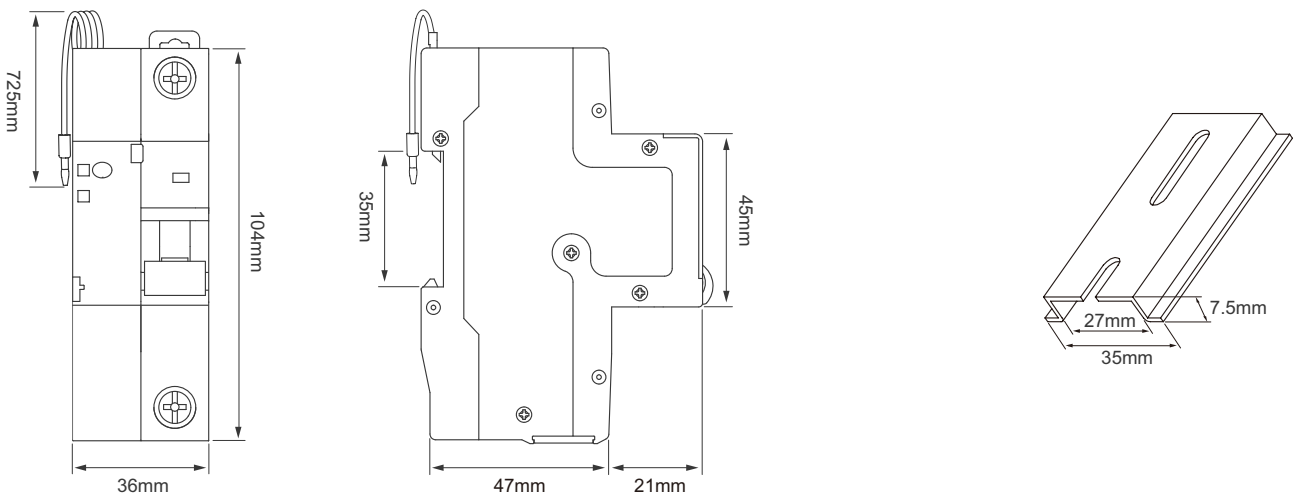


Connection



Rating	Tightening torque	Copper cables	
		Rigid	Flexible or ferrule
1 - 80A	2.5 N.m	1 - 25mm ²	1 - 16mm ²

Dimensions (mm)



I TOQCB2-80 2P

⚡ Over-current Protection

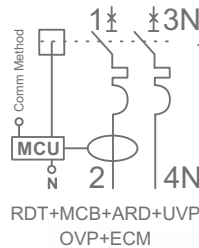
Threshold Setting: 1 - 63A
 Default: 63A
 Status Setting: Off/Alarm/Trip
 Electronic Component Response Time: 3s

+⚡ Over-voltage Protection

Threshold Setting: 245V - 295A
 Default: 280V
 Status Setting: Off/Alarm/Trip
 Electronic Component Response Time: 3s

-⚡ Under-voltage Protection

Threshold Setting: 145V - 220A
 Default: 165V
 Status Setting: Off/Alarm/Trip
 Electronic Component Response Time: 3s

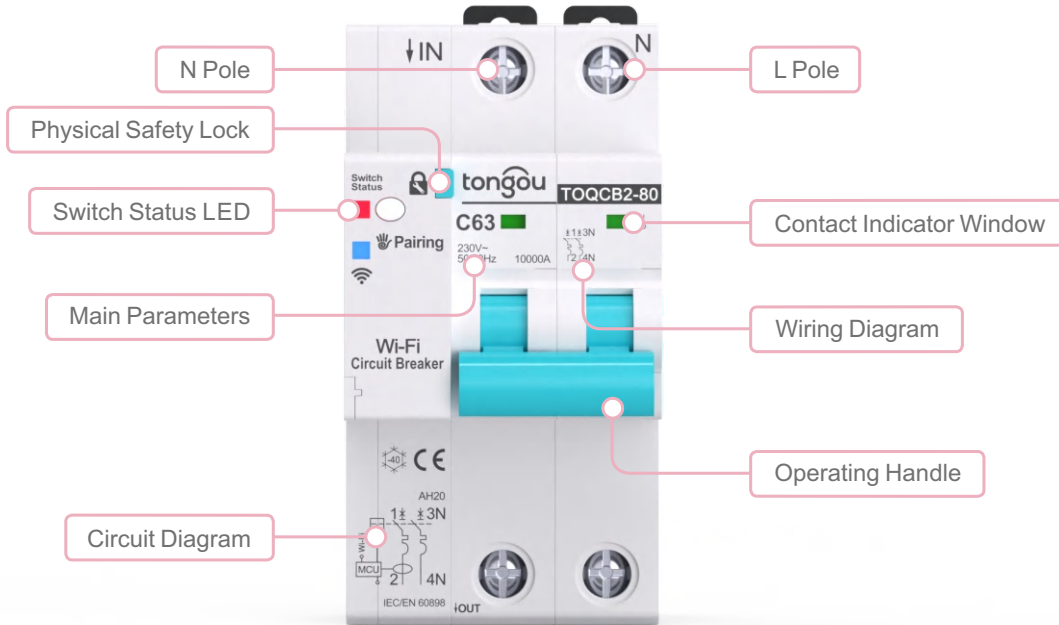


LED Indicator

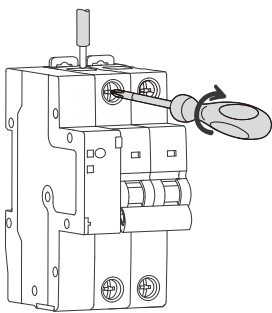
- The switch Status LED steady blue, indicating that circuit breaker is disconnected.
- The switch Status LED steady red, indicating that circuit breaker is closed.
- The network LED flashing red slowly indicates that circuit breaker is in off-grid mode.
- The network LED flashing red quickly indicates that circuit breaker is in pairing mode.
- The network LED flashing blue slowly indicates that the circuit breaker is in the connected mode.

PRODUCT MODEL	TOQCB2-80-JW	TOQCB2-80-JZ	TOQCB2-80-JR	TOQCB2-80-JL	TOQCB2-80-JM
Standards	IEC/EN 60947, IEC/EN 60898, IEC/EN 50557, EN 301 489, EN 300 328, EN IEC 61000				
Poles Description	2P				
Operating Rated Voltage	Ue (V)	AC 145V - 230V			
Frequency	Hz	50/60Hz			
Current Frame	In (A)	16, 20, 32, 40, 63, 80			
Curve Code		B、C、D			
Rated Insulation Voltage	Ui (V)	AC 500V			
Rated Ultimate Short-circuit Breaking Capacity	Icu (kA)	10kA			
Short Circuit Protection	acc. to IEC/EN 60947-2, IEC/EN 60898-1				
Operational Safety	Physical Safety Lock, which prevents the device from being closed once engaged				
Communication Protocol	TOQCB2-80-JW	TCP/IP: Wi-Fi (2.412~2.484GHz) IEEE 802.11b/g/n			
	TOQCB2-80-JZ	Zigbee (2.400~2.483GHz) IEEE 802.15.4			
	TOQCB2-80-JR	Modbus-RTU			
	TOQCB2-80-JL	LTE Cat.1: LTE-FDD: B1/B3/B5/B8 LTE-TDD: B34/38/39/40/41 (2535~2655MHz) LTE-FDD: B1/B3/B5/B7/B8/B20/B28A* LTE-TDD: B38/40/41 GSM/GPRS: GSM900/DCS1800			
	TOQCB2-80-JM	TCP/UDP: Matter			
Energy Consumption Measurement Accuracy	Class 1.0				
Monitoring Physical Data	Real-time Voltage, Real-time Current, Real-time Power (Forward/Reverse), Power Factor, Power Consumption (Forward/Reverse), Temperature, Phase Angle, Switch State, Device Operating Status, Frequency				
Function Description	Multiple Timing, Over-voltage Protection, Under-voltage Protection, Over-current Protection, Over-Power Protection, Temperature protection, Short Circuit Protection, Auto-reclosing, Remote Control, Voice Control				
Mounting Support	DIN Rail 35mm				

I TOQCB2-80 2P

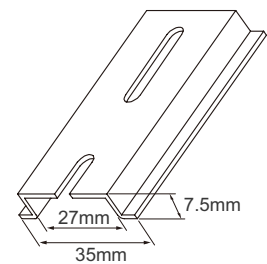
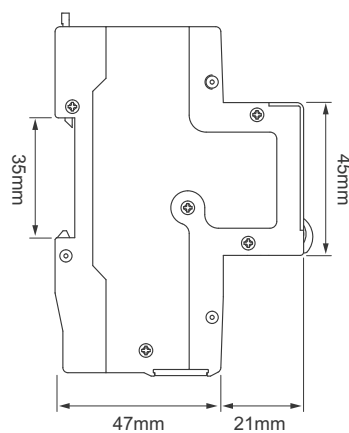
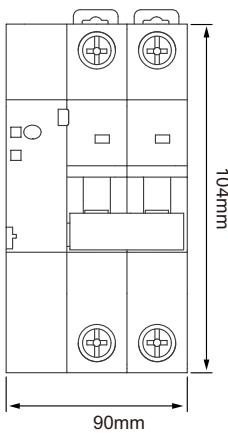


Connection



Rating	Tightening torque	Copper cables	
		Rigid	Flexible or ferrule
1 - 80A	2.5 N.m	1 - 25mm ²	1 - 16mm ²

Dimensions (mm)



TOQCB2-80 3P

⚡ Over-current Protection

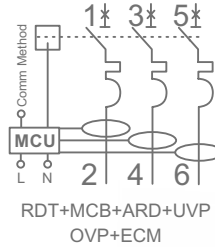
Threshold Setting: 1 - 63A
 Default: 63A
 Status Setting: Off/Alarm/Trip
 Electronic Component Response Time: 3s

+⚡ Over-voltage Protection

Threshold Setting: 245V - 295A
 Default: 280V
 Status Setting: Off/Alarm/Trip
 Electronic Component Response Time: 3s

-⚡ Under-voltage Protection

Threshold Setting: 145V - 220A
 Default: 165V
 Status Setting: Off/Alarm/Trip
 Electronic Component Response Time: 3s

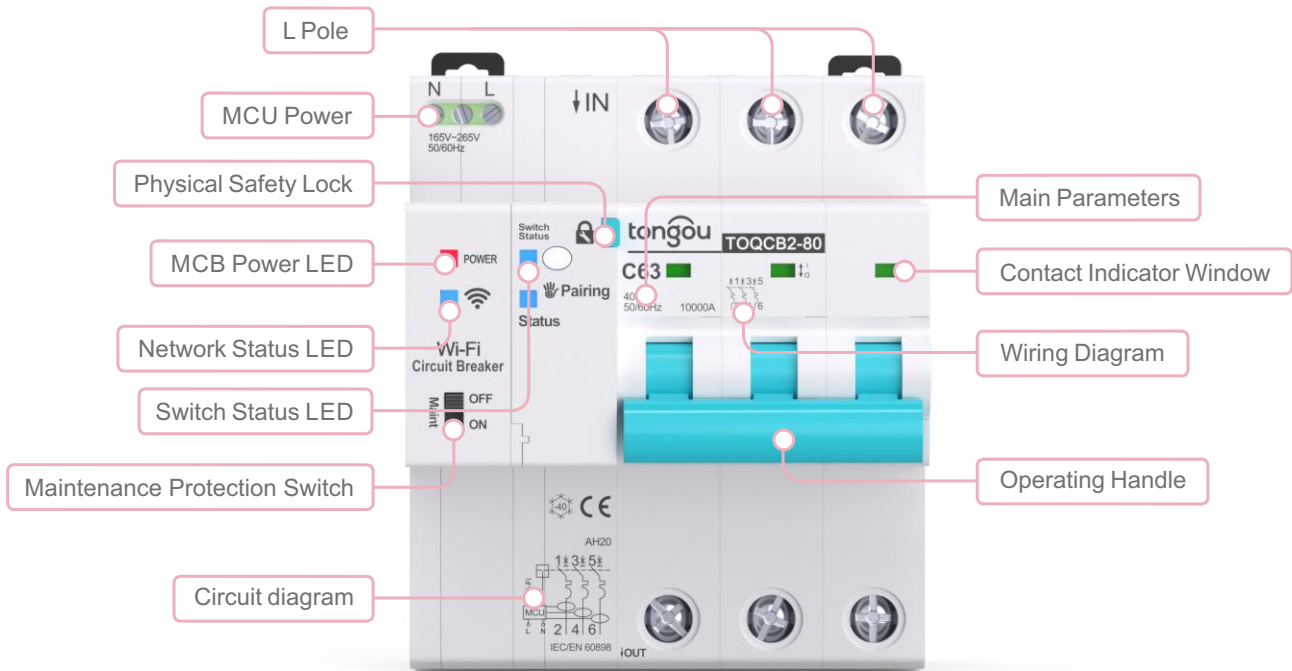


LED Indicator

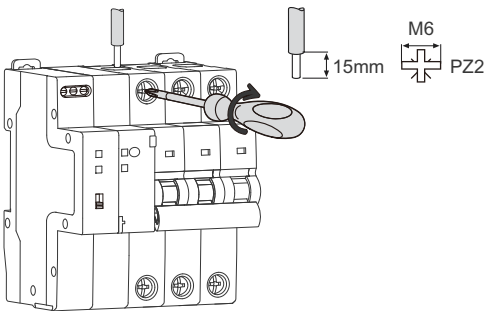
- The switch Status LED steady blue, indicating that circuit breaker is disconnected.
- The switch Status LED steady red, indicating that circuit breaker is closed.
- The network LED flashing red slowly indicates that circuit breaker is in off-grid mode.
- The network LED flashing red quickly indicates that circuit breaker is in pairing mode.
- The network LED flashing blue slowly indicates that the circuit breaker is in the connected mode.

PRODUCT MODEL	TOQCB2-80-JW	TOQCB2-80-JZ	TOQCB2-80-JR	TOQCB2-80-JL	TOQCB2-80-JM
Standards	IEC/EN 60947, IEC/EN 60898, IEC/EN 50557, EN 301 489, EN 300 328, EN IEC 61000				
Poles Description	3P				
MCU Power Rated Operational Voltage U _e (V)	AC 380V - 415V				
Phase Line Operational Voltage U _e (V)	AC 230V(L1-N, L2-N, L3-N)				
Frequency Hz	50/60Hz				
Current Frame I _n (A)	16, 20, 32, 40, 63, 80				
Curve Code	B, C, D				
Rated Insulation Voltage U _i (V)	AC 500V				
Rated Ultimate Short-circuit Breaking Capacity I _{cu} (kA)	10kA				
Short Circuit Protection	acc. to IEC/EN 60947-2, IEC/EN 60898-1				
Operational Safety	Physical Safety Lock, which prevents the device from being closed once engaged				
Communication Protocol	TOQCB2-80-JW	TCP/IP: Wi-Fi (2.412~2.484GHz) IEEE 802.11b/g/n			
	TOQCB2-80-JZ	Zigbee (2.400~2.483GHz) IEEE 802.15.4			
	TOQCB2-80-JR	Modbus-RTU			
	TOQCB2-80-JL	LTE Cat.1: LTE-FDD: B1/B3/B5/B8 LTE-TDD: B34/38/39/40/41 (2535~2655MHz) LTE-FDD: B1/B3/B5/B7/B8/B20/B28A* LTE-TDD: B38/40/41 GSM/GPRS: GSM900/DCS1800			
	TOQCB2-80-JM	TCP/UDP: Matter			
Energy Consumption Measurement Accuracy	Class 1.0				
Monitoring Physical Data	Real-time Voltage, Real-time Current, Real-time Power (Forward/Reverse), Power Factor, Power Consumption (Forward/Reverse), Temperature, Phase Angle, Switch State, Device Operating Status, Frequency				
Function Description	Multiple Timing, Over-voltage Protection, Under-voltage Protection, Over-current Protection, Over-Power Protection, Temperature protection, Short Circuit Protection, Auto-reclosing, Remote Control, Voice Control				
Mounting Support	DIN Rail 35mm				

TOQCB2-80 3P

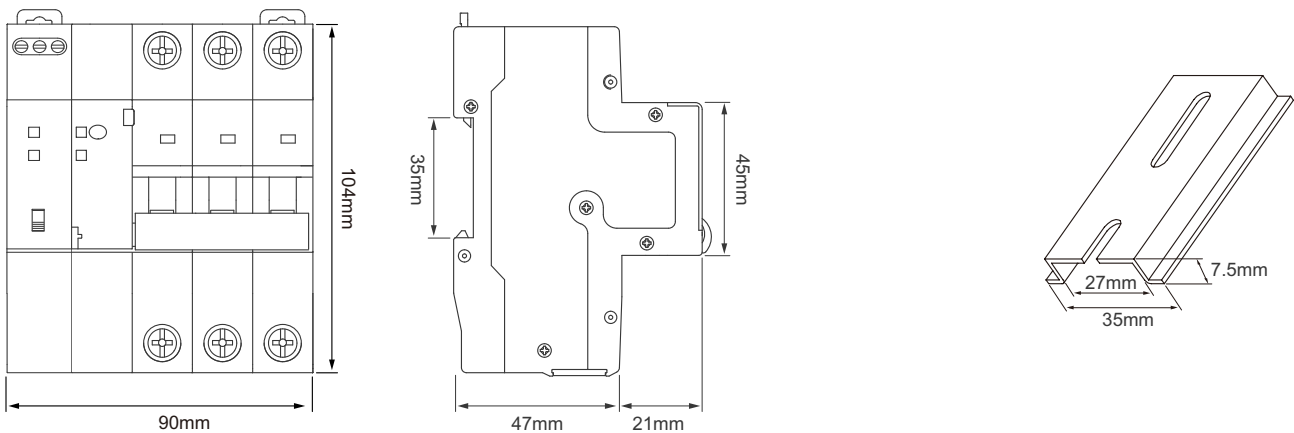


Connection



Rating	Tightening torque	Copper cables	
		Rigid	Flexible or ferrule
1 - 80A	2.5 N.m	1 - 25mm ²	1 - 16mm ²

Dimensions (mm)



TOQCB2-80 4P

Over-current Protection

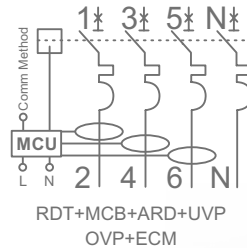
Threshold Setting: 1 - 63A
 Default: 63A
 Status Setting: Off/Alarm/Trip
 Electronic Component Response Time: 3s

Over-voltage Protection

Threshold Setting: 245V - 295A
 Default: 280V
 Status Setting: Off/Alarm/Trip
 Electronic Component Response Time: 3s

Under-voltage Protection

Threshold Setting: 145V - 220A
 Default: 165V
 Status Setting: Off/Alarm/Trip
 Electronic Component Response Time: 3s

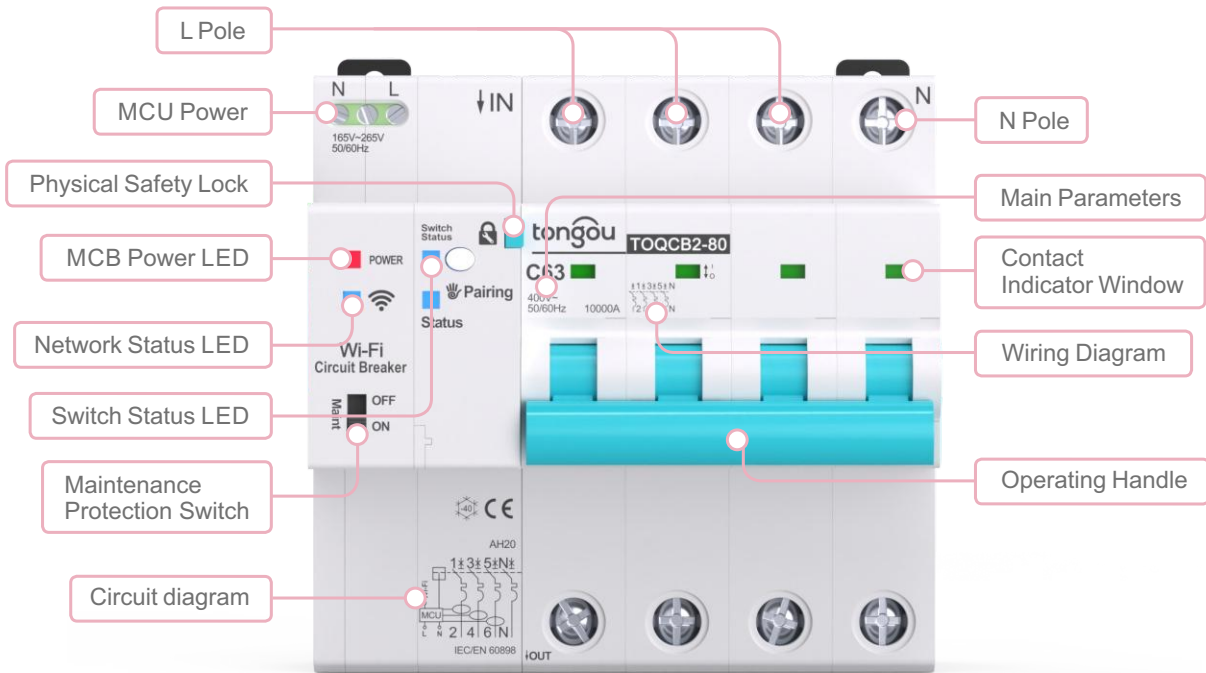


LED Indicator

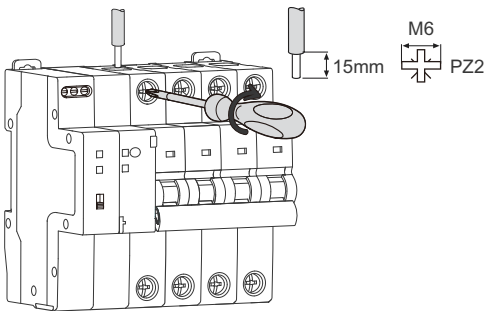
- The switch Status LED steady blue, indicating that circuit breaker is disconnected.
- The switch Status LED steady red, indicating that circuit breaker is closed.
- The network LED flashing red slowly indicates that circuit breaker is in off-grid mode.
- The network LED flashing red quickly indicates that circuit breaker is in pairing mode.
- The network LED flashing blue slowly indicates that the circuit breaker is in the connected mode.

PRODUCT MODEL	TOQCB2-80-JW	TOQCB2-80-JZ	TOQCB2-80-JR	TOQCB2-80-JL	TOQCB2-80-JM
Standards	IEC/EN 60947, IEC/EN 60898, IEC/EN 50557, EN 301 489, EN 300 328, EN IEC 61000				
Poles Description	4P				
MCU Power Rated Operational Voltage U _e (V)	AC 380V - 415V				
Phase Line Operational Voltage U _e (V)	AC 230V(L1-N, L2-N, L3-N)				
Frequency Hz	50/60Hz				
Current Frame I _n (A)	16, 20, 32, 40, 63, 80				
Curve Code	B, C, D				
Rated Insulation Voltage U _i (V)	AC 500V				
Rated Ultimate Short-circuit Breaking Capacity I _{cu} (kA)	10kA				
Short Circuit Protection	acc. to IEC/EN 60947-2, IEC/EN 60898-1				
Operational Safety	Physical Safety Lock, which prevents the device from being closed once engaged				
Communication Protocol	TOQCB2-80-JW	TCP/IP: Wi-Fi (2.412~2.484GHz) IEEE 802.11b/g/n			
	TOQCB2-80-JZ	Zigbee (2.400~2.483GHz) IEEE 802.15.4			
	TOQCB2-80-JR	Modbus-RTU			
	TOQCB2-80-JL	LTE Cat.1: LTE-FDD: B1/B3/B5/B8 LTE-TDD: B34/38/39/40/41 (2535~2655MHz) LTE-FDD: B1/B3/B5/B7/B8/B20/B28A* LTE-TDD: B38/40/41 GSM/GPRS: GSM900/DCS1800			
	TOQCB2-80-JM	TCP/UDP: Matter			
Energy Consumption Measurement Accuracy	Class 1.0				
Monitoring Physical Data	Real-time Voltage, Real-time Current, Real-time Power (Forward/Reverse), Power Factor, Power Consumption (Forward/Reverse), Temperature, Phase Angle, Switch State, Device Operating Status, Frequency				
Function Description	Multiple Timing, Over-voltage Protection, Under-voltage Protection, Over-current Protection, Over-Power Protection, Temperature protection, Short Circuit Protection, Auto-reclosing, Remote Control, Voice Control				
Mounting Support	DIN Rail 35mm				

TOQCB2-80 4P



Connection



Rating	Tightening torque	Copper cables	
		Rigid	Flexible or ferrule
1 - 80A	2.5 N.m	1 - 25mm ²	1 - 16mm ²

Dimensions (mm)

